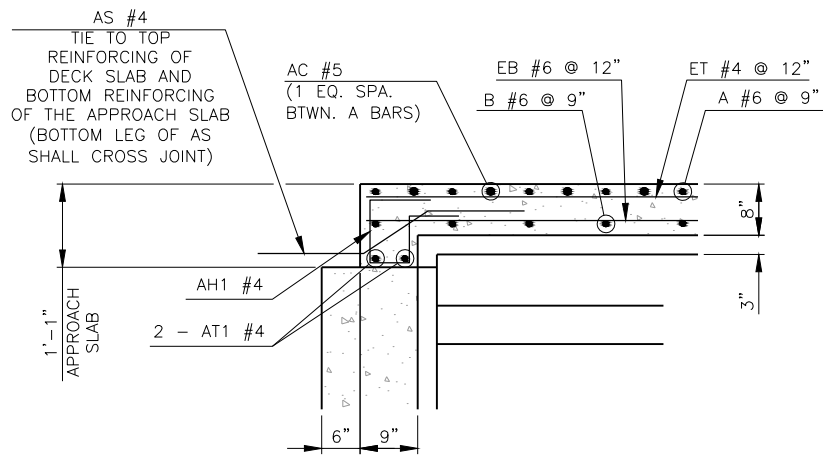
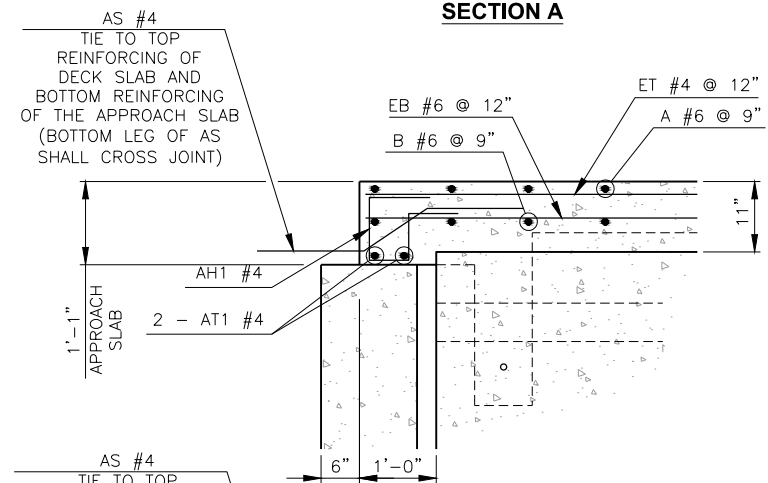


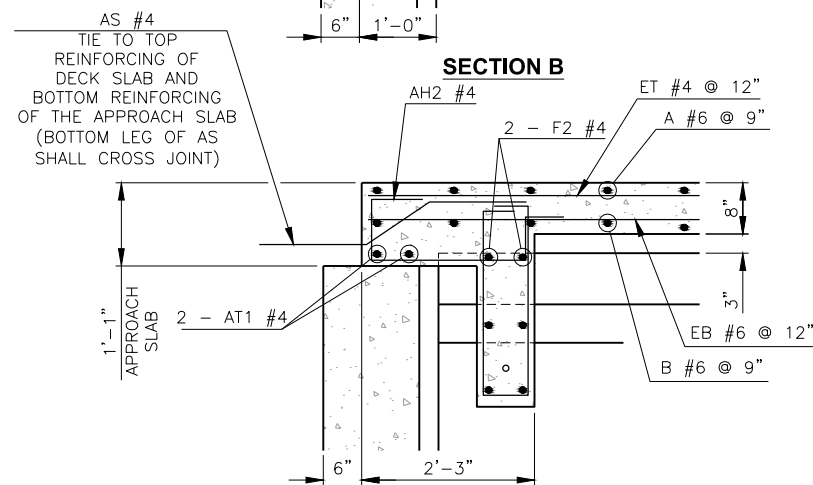
DESCRIPTION	REVISIONS	DATE



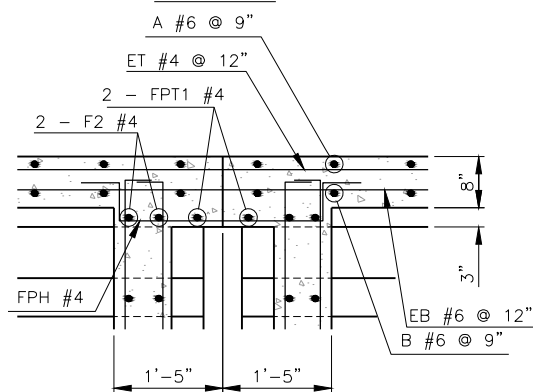
SECTION A



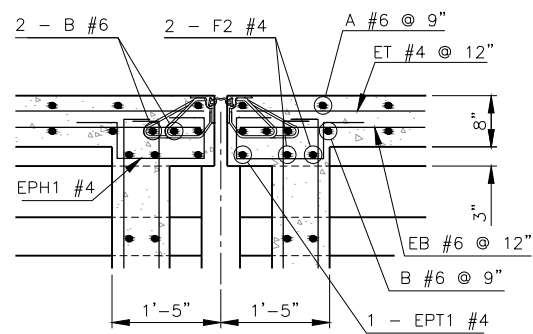
SECTION B



SECTION C



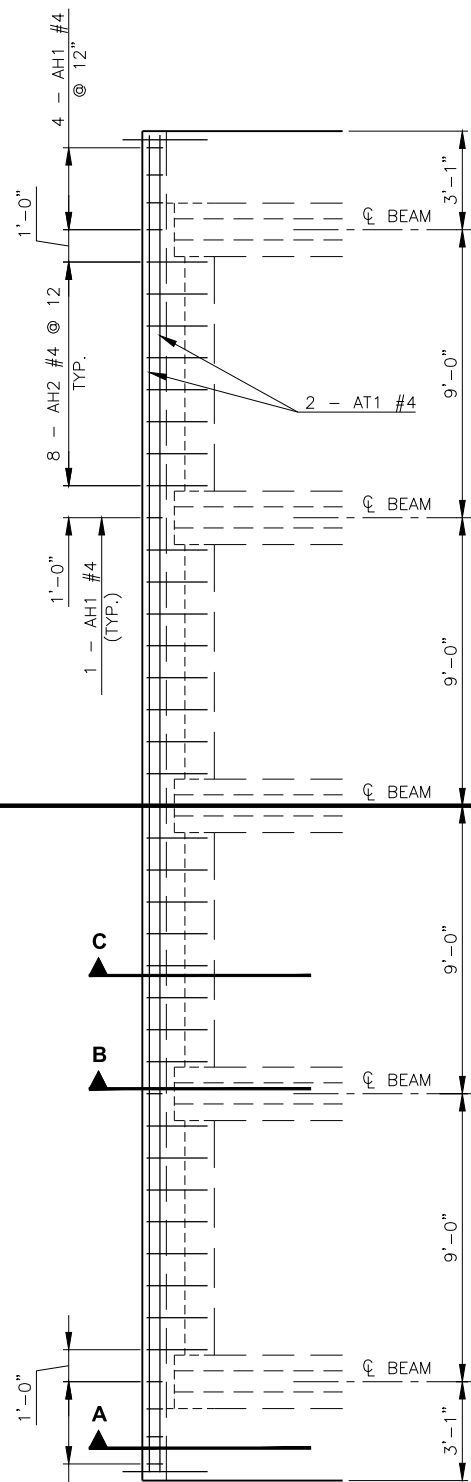
SECTION D



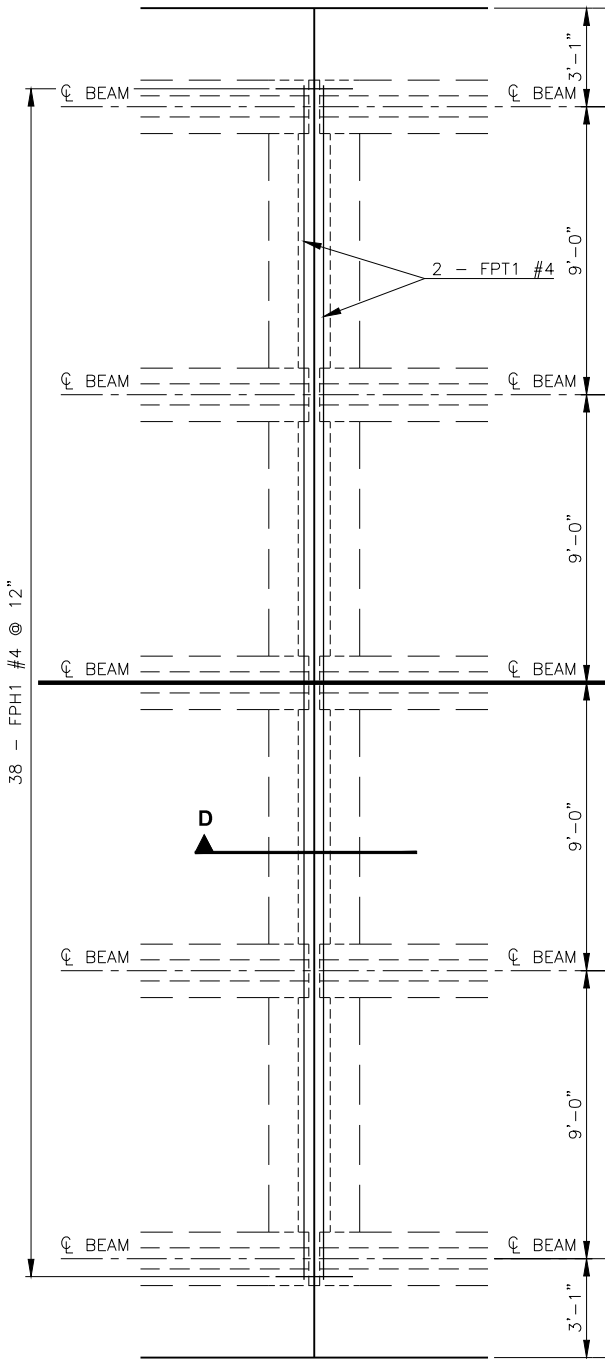
SECTION E

C.R.L. & P.G.L. SH34
N 00°42'31.65" E

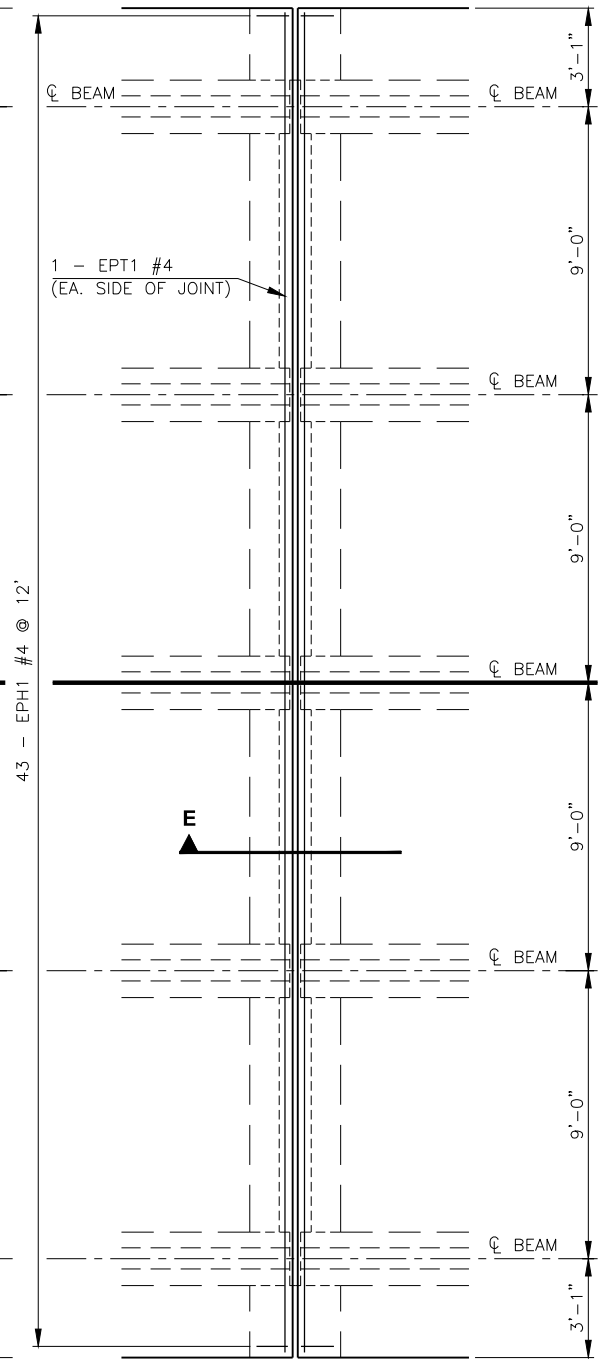
NOTE:
FOR BAR BENDS AND
BAR LIST, SEE SHEET 36.



ABUTMENT



PIER NO. 1



PIER NO. 2

ADDITIONAL SLAB REINFORCING AT DIAPHRAGMS

THIS DRAWING
IS PRELIMINARY IN
NATURE. IT IS NOT
A FINAL SIGNED
AND SEALED
DRAWING

DESIGN	J.W.H.	SH34 OVER N. PERSIMMON CREEK	WOODWARD COUNTY
DRAWN	R.A.P.	BRIDGE A	
CHECKED	J.W.H.		
APPROV.	T.A.C.		
SQUAD	CEC		

ADDITIONAL SLAB
REINFORCING

JOB PIECE NO. 28827(04) SHEET NO. 37